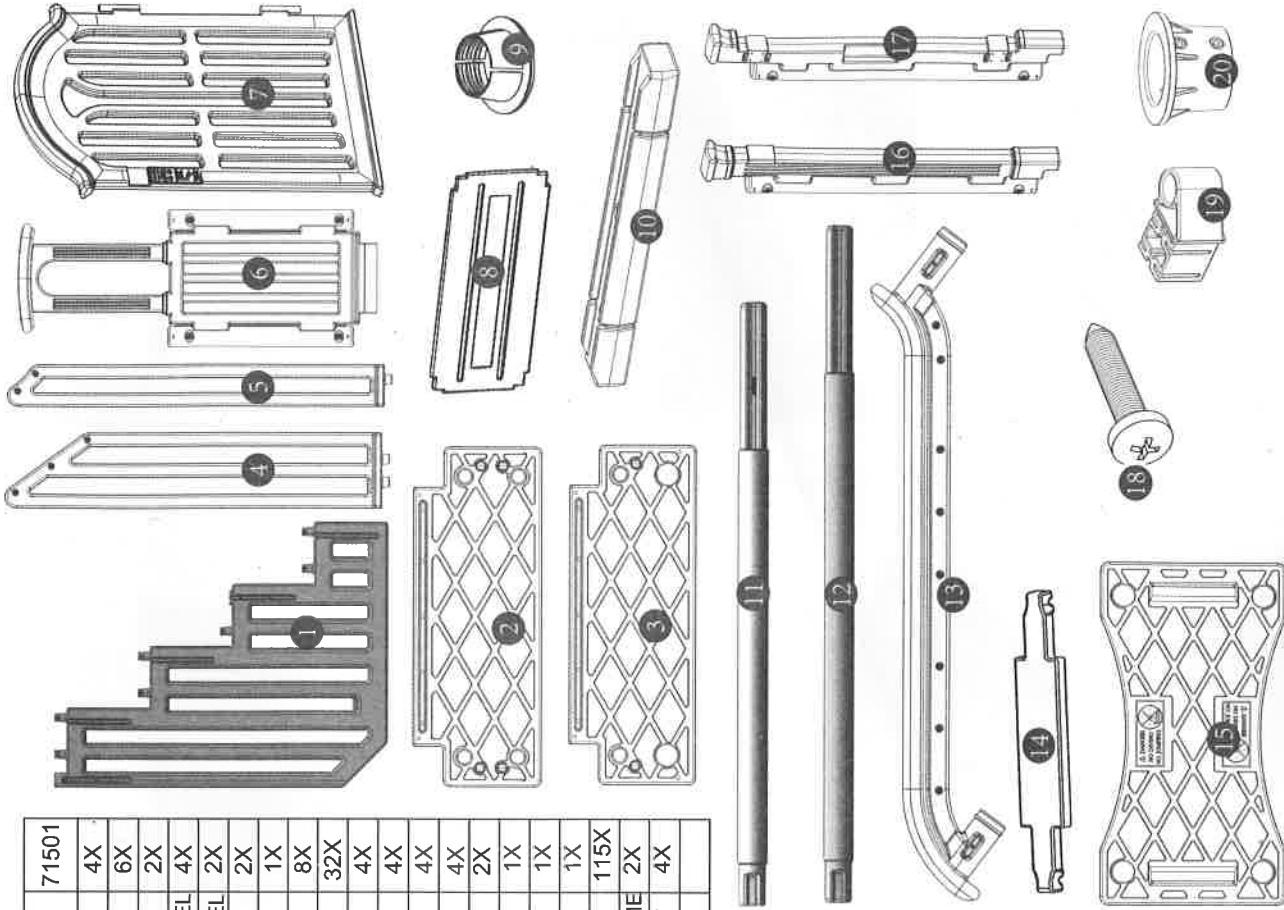


PART NUMBER	DESCRIPTION	71501
1	SIDE PANELS	4X
2	STEPS	6X
3	STEPS	2X
4	SUPPORTING PANEL	4X
5	SUPPORTING PANEL	2X
6	CONNECTION RAIL	2X
7	GATE	1X
8	RISERS	8X
9	LOCK CAPS	32X
10	BASE	4X
11	POST	4X
12	LONG POST	4X
13	HANDRAIL	4X
14	LOCATING RACK	2X
15	STEPS	1X
16	LATCH POST	1X
17	HINGE POST	1X
18	SCREW ST4.8X20	115X
19	POSITIONING FRAME	2X
20	SUPPORTING PART	4X



INSTRUCTION OF SAFETY:

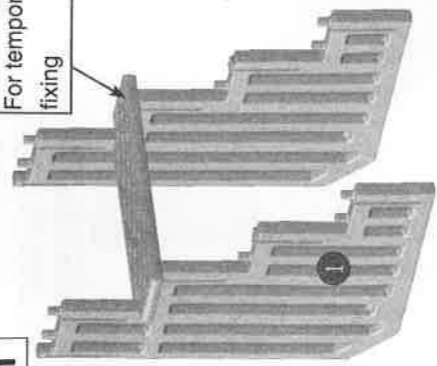
- ◆ THE DISTANCE IS ADJUSTABLE FROM 48 TO 54 INCHES (122CM TO 137CM)
- ◆ THE STAIR MUST BE INSTALLED ACCORDING TO THE INSTRUCTIONS OF THE MANUFACTURER.
- ◆ ONE PERSON AT THE SAME TIME ON THE STAIR.
- ◆ ALWAYS FACE THE STAIR TO ENTER OR COME OUT OF THE SWIMMING POOL.
- ◆ NO JUMP OR DIVE FROM THE STAIR.
- ◆ DO NOT SWIM BEHIND OR AROUND THE STAIR.

Required for the installation

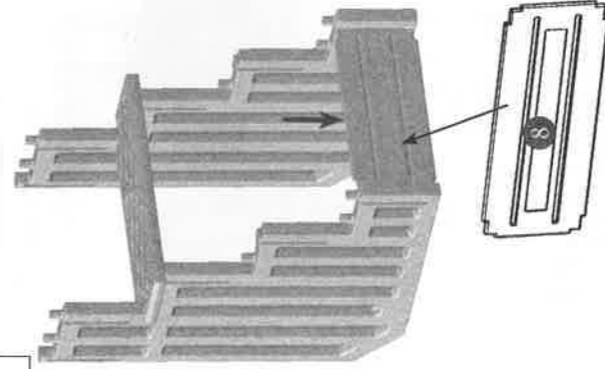


ASSEMBLY

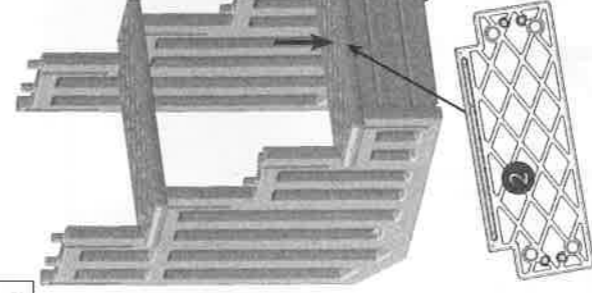
1



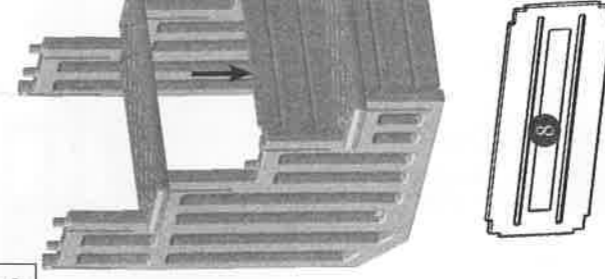
2



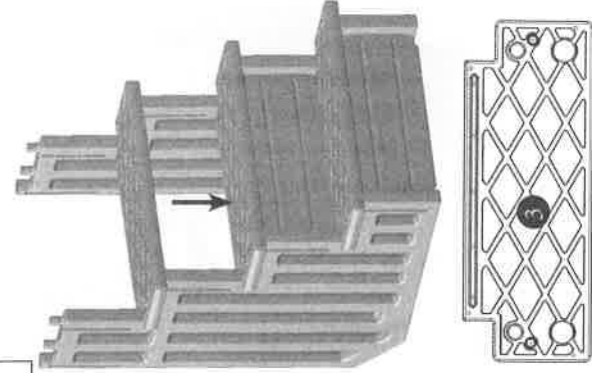
3



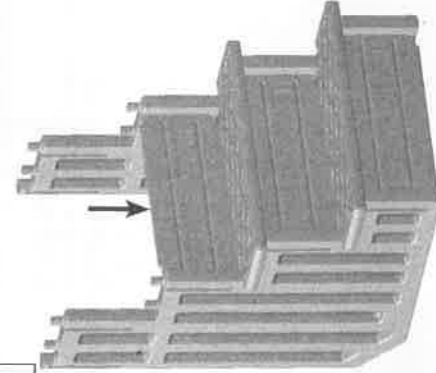
4



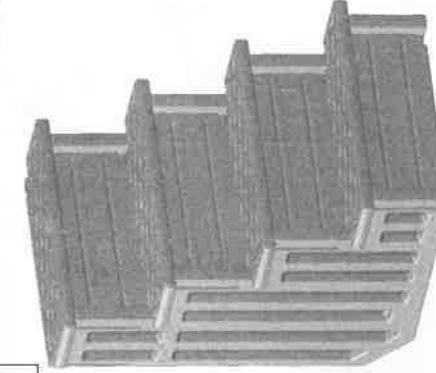
5



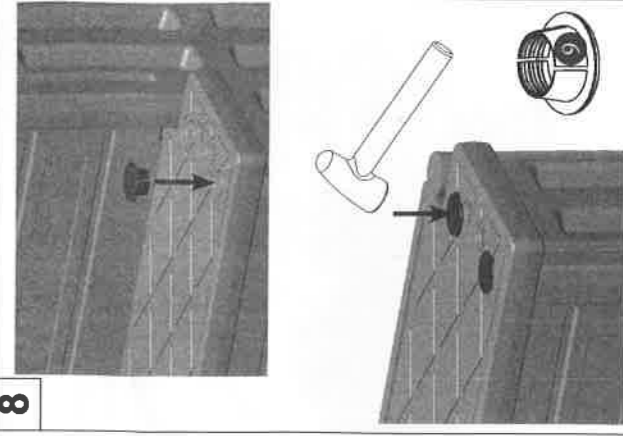
6



7



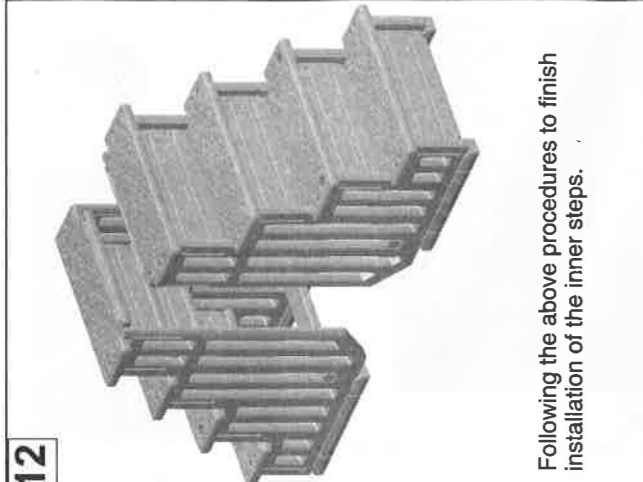
8

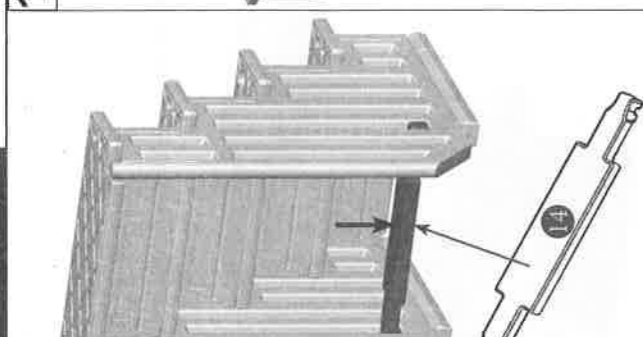


Take off the step with small holes installed at beginning. Insert the third riser.

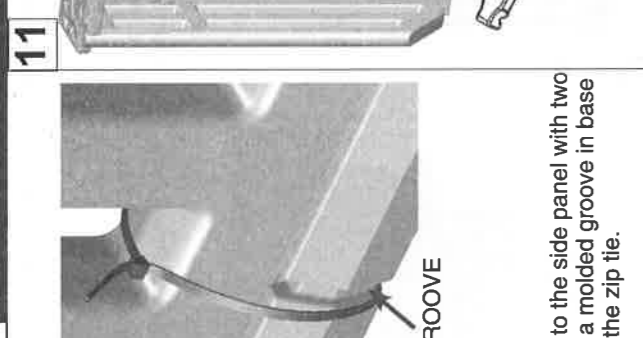
Use same way to install the other steps and risers.

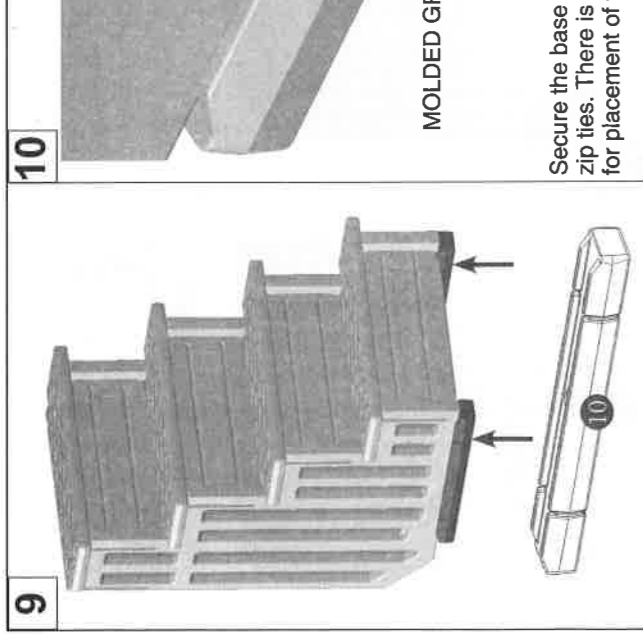
ASSEMBLY

9 

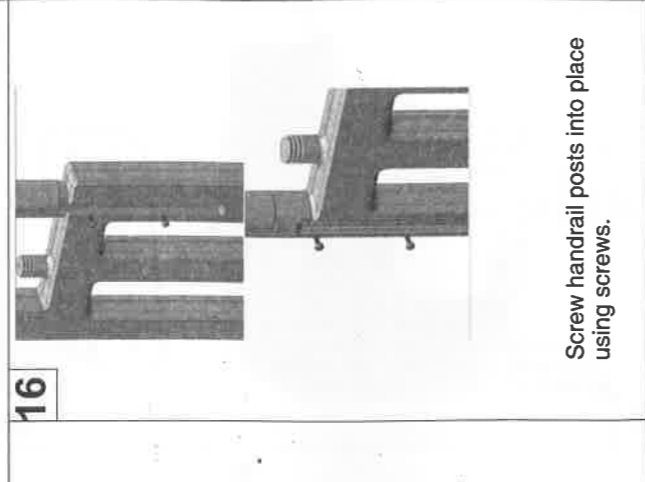
10  MOLDED GROOVE

Secure the base to the side panel with two zip ties. There is a molded groove in base for placement of the zip tie.

11 

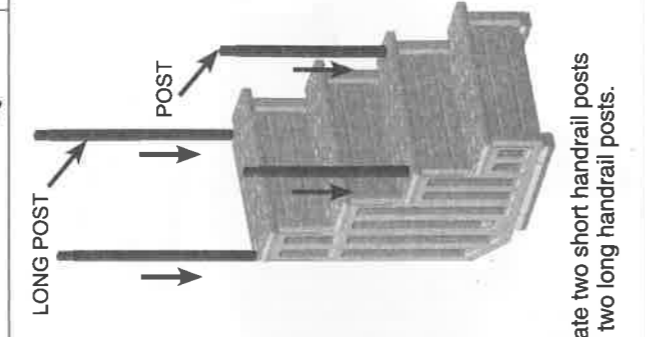
12 

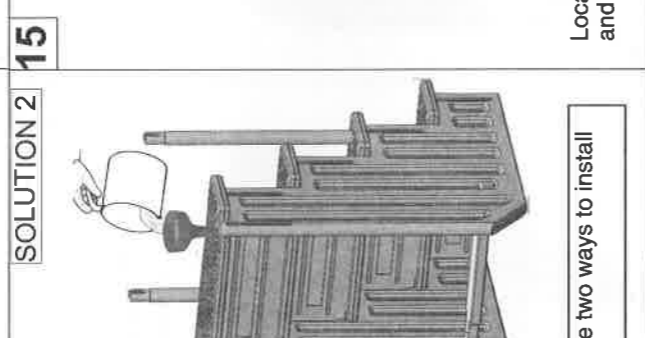
Following the above procedures to finish installation of the inner steps.

13  SOLUTION 1 SOLUTION 2


THE WEIGHTS NEED TO BE PURCHASED SEPERATELY

Inner Ladder needs weights to be installed. There are two ways to install them, solution 1 or solution 2.

14 

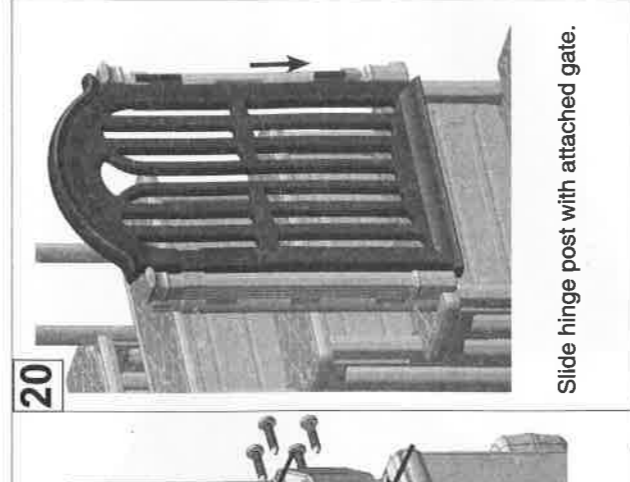
15  LONG POST POST

Locate two short handrail posts and two long handrail posts.

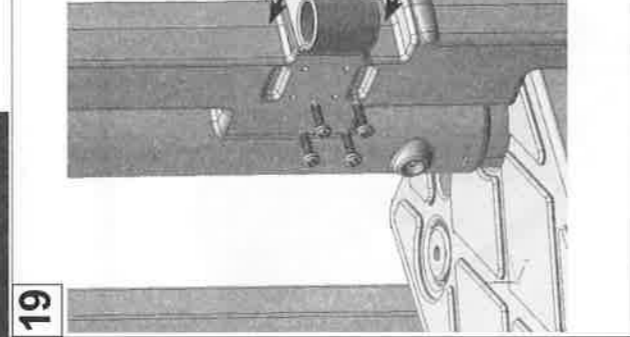
16 

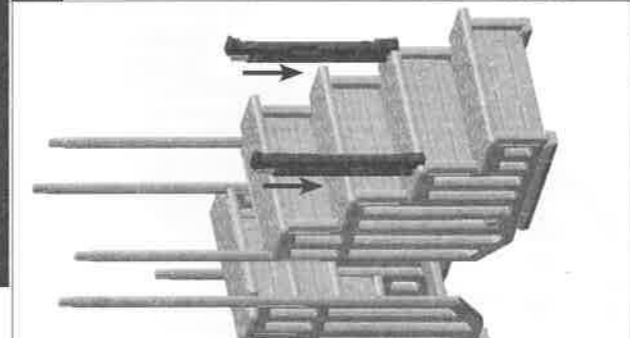
Screw handrail posts into place using screws.

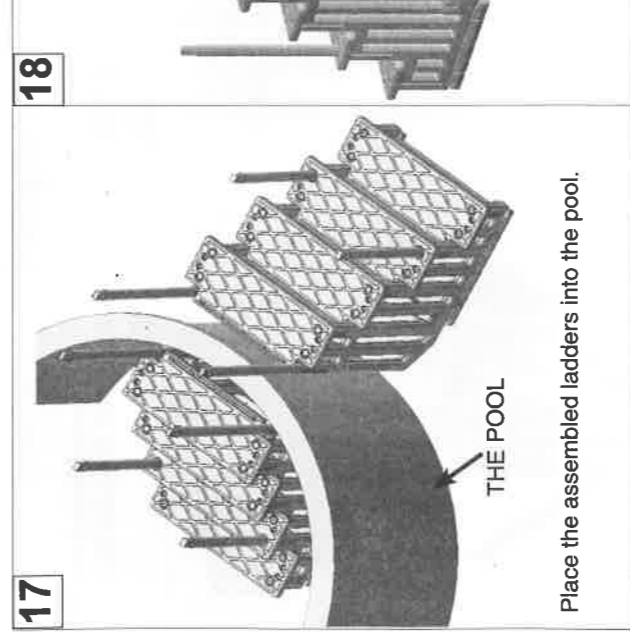
ASSEMBLY

17  THE POOL

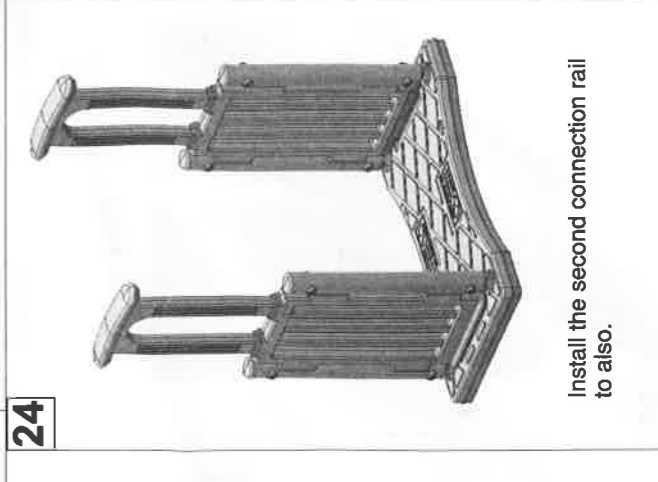
Place the assembled ladders into the pool.

18 


19 

20 

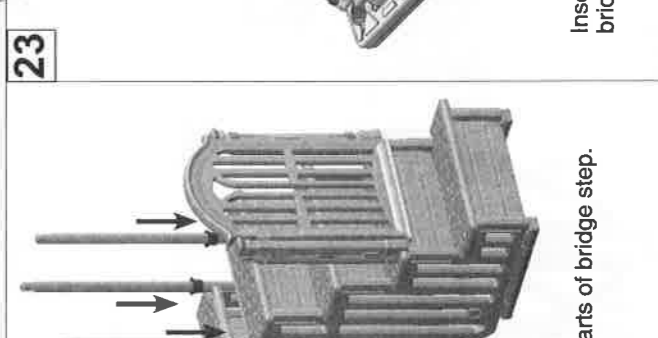
Slide hinge post with attached gate.

21 

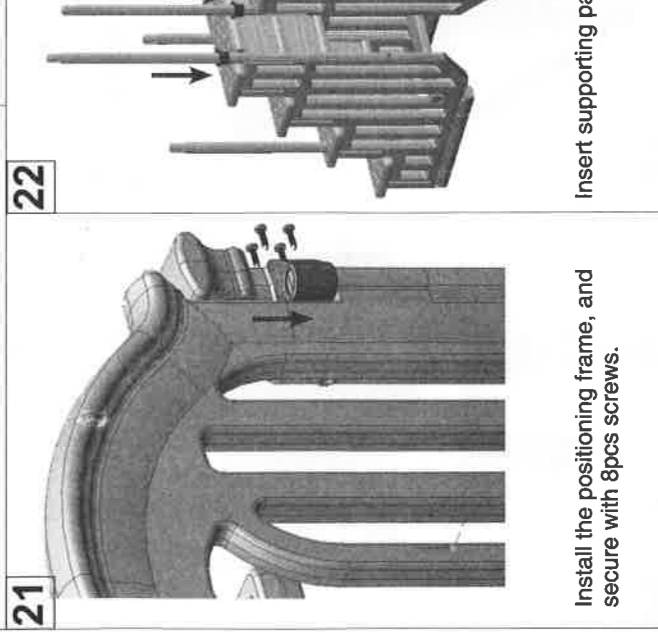
Install the positioning frame, and secure with 8pcs screws.

22 

Insert supporting parts of bridge step.

23 

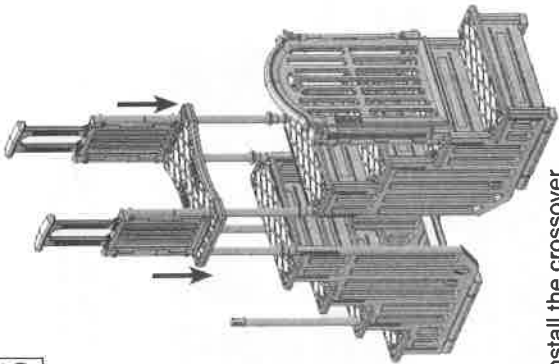
Insert the connection rail to the bridge step.

24 

Install the second connection rail to also.

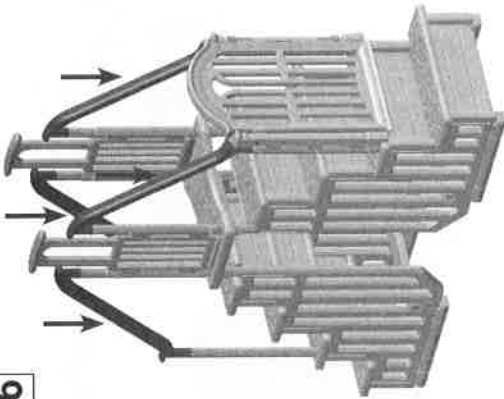
ASSEMBLY

25



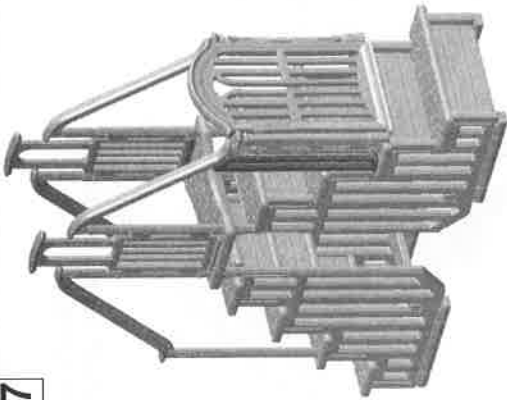
Install the crossover.

26



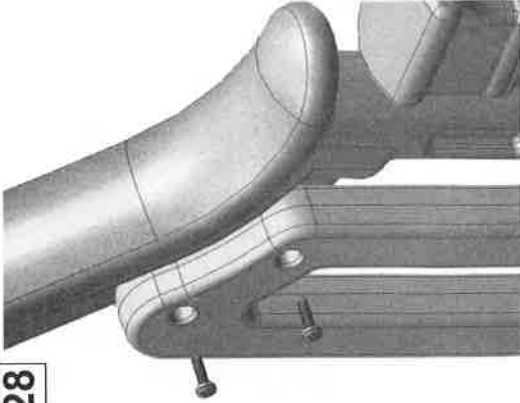
Install four handrails.

27



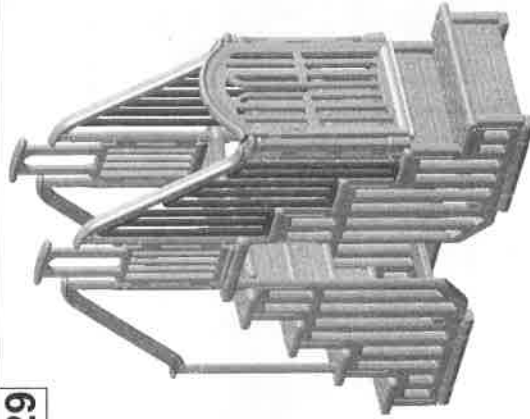
Install small supporting panel for door.

28



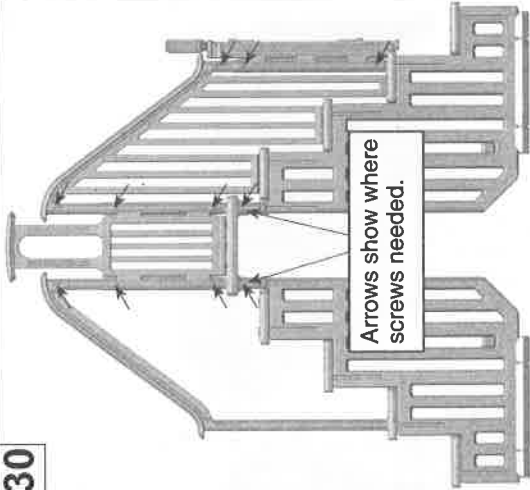
Use screws for fixing.

29



Use the same way to install other supporting panels.

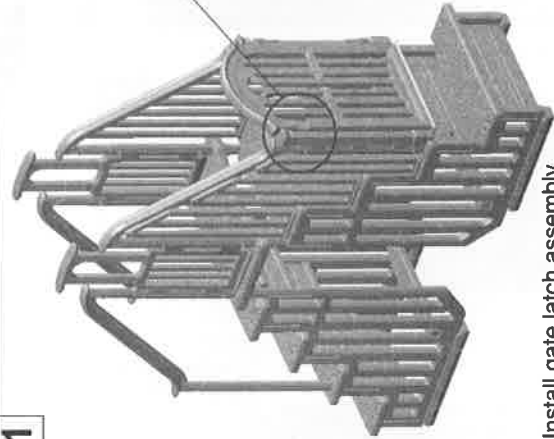
30



Arrows show where screws needed.

Secure with all screws.

31



Install gate latch assembly.

